

CGA6M2NP01H473J200AA

TDK Item Description : CGA6M2NP01H473JT****



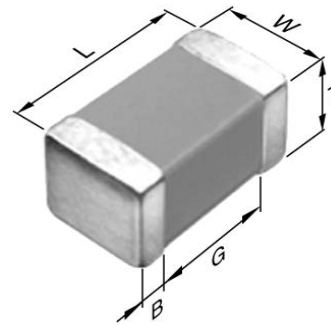
Equivalent C3225NP01H473J for Automotive

Application & Main Feature

Automotive Grade (High Temperature Application)

Series

CGA6(3225) [EIA CC1210]



Dimensions

L 3.20mm +/-0.4mm
W 2.50mm +/-0.3mm
T 2.00mm +/-0.2mm
B 0.20mm Min.
G

Temperature Characteristic

NP0 (-55 to 150 degC 0+/-30ppm/degC)

Rated Voltage

1H (50Vdc)

Capacitance

47nF

Capacitance Tolerance

J (+/-5%)

Q Factor

1000 Min.

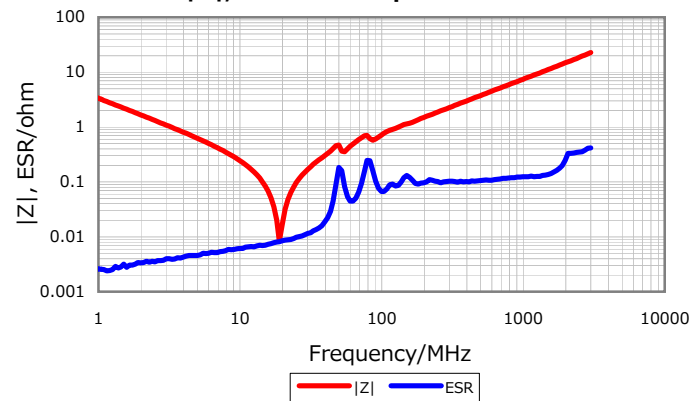
Insulation Resistance

10Gohm Min.

AEC-Q200

Yes

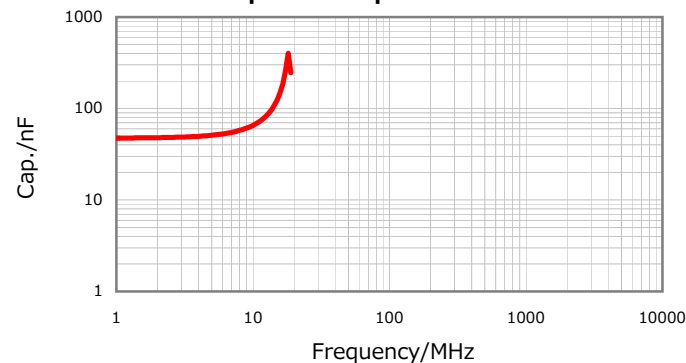
|Z|, ESR vs. Freq. Characteristics



DC Bias Characteristic



Cap. vs. Freq. Characteristic



Temperature Characteristics

